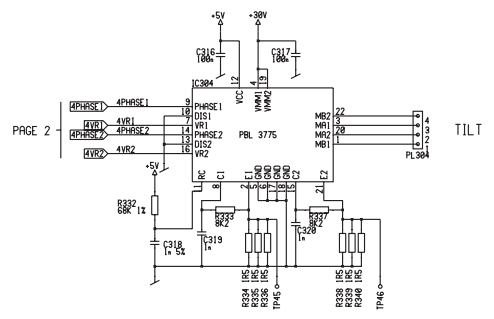
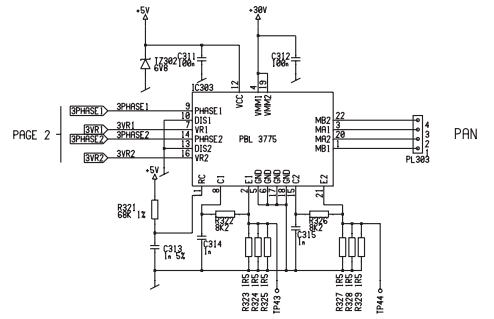
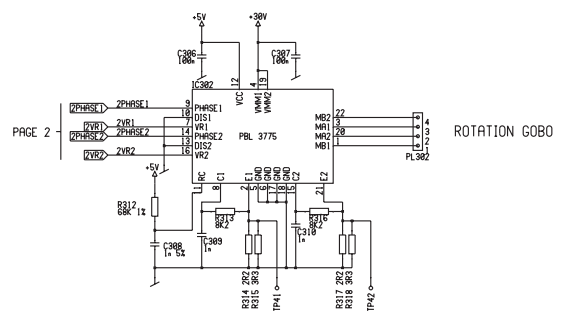
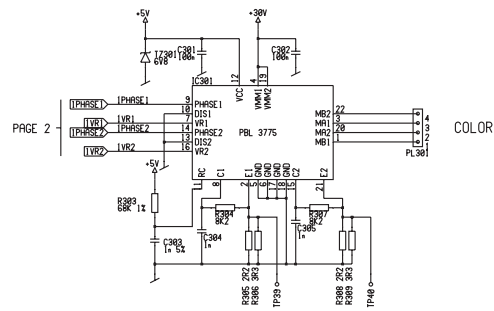
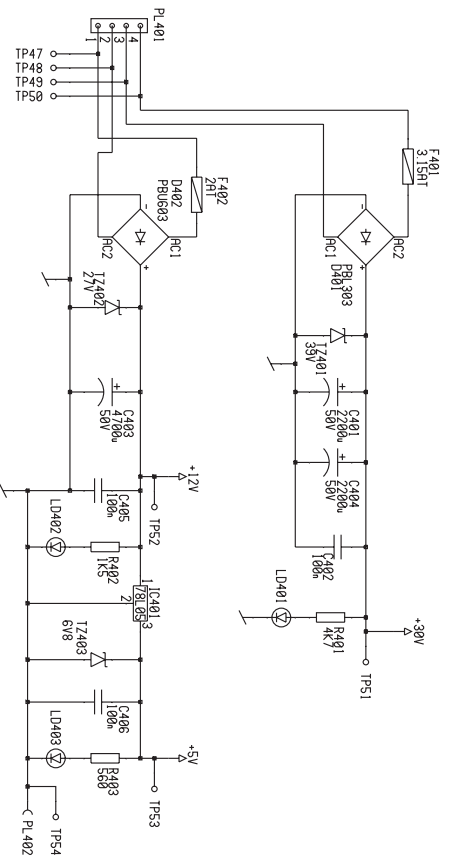


PRODUCT		ENG.	
MINI MAC PROFILE		Martin Professional A/S	
REVISION	PAGE 2 OF 4		
DRAWN BY BH			
NAME	DATE 30/11/99	TIME 13:28	
62000063 - 62090051 - 01001512			



PRODUCT		ENG	
MINI MAC		Martin Professional A/S	
PROFILE		REVISION	PAGE 3 OF 4
NAME 6200063 - 62090051 - 01001512		DRAWN BY BH	
		DATE 30/11/99	TIME 13:28



PRODUCT		ENC	
MINI MAC PROFILE		Martin Professional A/S	
NAME	62000063 - 62090051 - 01001512	REVISION	PAGE 4 OF 4
		DRAWN BY BH	
		DATE 30/11/99	TIME 13:29